

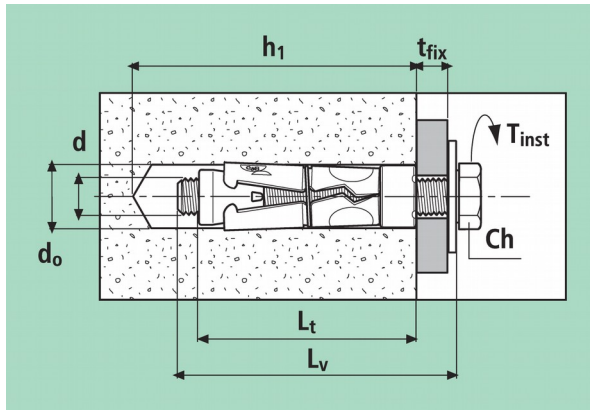
TECHNICAL DATASHEET
ALFA ACCIAIO heavy-duty shield anchor



Base material

specific use

concrete
 natural stone
 solid brick



d_0 = anchor diameter = hole diameter
 L_t = anchor length
 d = screw diameter
 L_v = screw length
 t_{fix} = fixable thickness
 h_1 = minimum hole depth
 h_{nom} = overall embedment depth
 h_{ef} = effective anchorage depth
 Ch = spanner
 T_{inst} = tightening torque

$$L_v \geq L_t + t_{fix}$$

ALFA ACCIAIO shield anchor only



art.	descr.	d_0 mm	L_t mm	d	h_1 mm	h_{nom} mm	h_{ef} mm	T_{inst} Nm
TM06	ALM6	12	45	M6	55	45	40	13
TM08	ALM8	14	50	M8	60	50	45	25
TM10	ALM10	16	60	M10	70	60	50	40
TM12	ALM12	20	75	M12	85	75	62	75

ALFA ACCIAIO shield anchor with loose bolt, class 8.8



art.	descr.	d_0 mm	L_t mm	d	L_v mm	t_{fix} mm	h_1 mm	h_{nom} mm	h_{ef} mm	Ch mm	T_{inst} Nm
TMV06	ALM6/V	12	45	M6	50	9	55	45	40	10	13
TMV08	ALM8/V	14	50	M8	60	11	60	50	45	13	25
TMV10	ALM10/V	16	60	M10	80	17	70	60	50	17	40
TMV12	ALM12/V	20	75	M12	90	15	85	75	62	19	75

TECHNICAL DATASHEET
ALFA ACCIAIO heavy-duty shield anchor

ALFA ACCIAIO shield anchor with extra long loose bolt, class 8.8



art.	descr.	d ₀ mm	L _t mm	d	L _v mm	t _{fix} mm	h ₁ mm	h _{nom} mm	h _{ef} mm	Ch mm	T _{inst} Nm
TMV670	ALM670/V	12	45	M6	70	9	55	45	40	10	13
TMV685	ALM685/V				85						
TMV875	ALM875/V	14	50	M8	75	11	60	50	45	13	25
TMV890	ALM890/V				90						
TMV1085	ALM1085/V	16	60	M10	85	17	70	60	50	17	40
TMV1011	ALM10110/ V				110						
TMV1013	ALM10130/ V				130						
TMV1210	ALM12100/ V	20	75	M12	100	15	85	75	62	19	75
TMV1211	ALM12115/ V				115						
TMV1213	ALM12135/ V				135						

ALFA ACCIAIO shield anchor with spacer and bolt, class 8.8



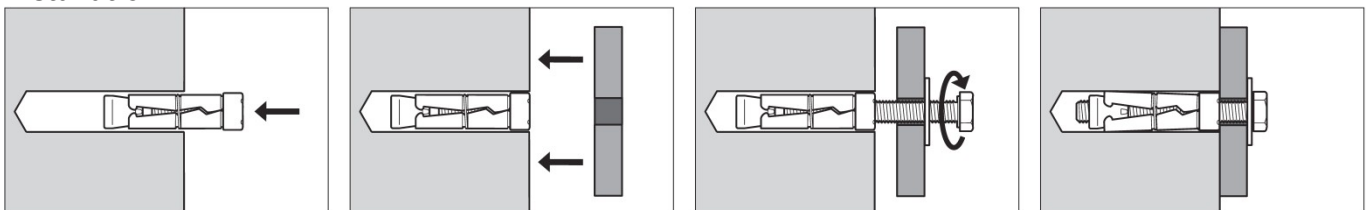
art.	descr.	d ₀ mm	L _t mm	d	L _v mm	t _{fix} mm	h ₁ mm	h _{nom} mm	h _{ef} mm	Ch mm	T _{inst} Nm
TMVD06	ALM6/80	12	80	M6	80	30	55	45	40	10	13
TMVD08	ALM8/80	14	80	M8	80	25	60	50	45	13	25
TMVD10	ALM10/100	16	100	M10	100	35	70	60	50	17	40

ALFA ACCIAIO shield anchor with eyebolt, class 5.8



art.	descr.	d ₀ mm	L _t mm	d	L _v mm	h ₁ mm	h _{nom} mm	h _{ef} mm	Ch mm	T _{inst} Nm
TMC06	ALM6/C	12	45	M6	50	55	45	40	10	13
TMC08	ALM8/C	14	50	M8	60	60	50	45	13	25
TMC10	ALM10/C	16	60	M10	70	70	60	50	17	40

Installation



TECHNICAL DATASHEET

ALFA ACCIAIO heavy-duty shield anchor

 EN
 rev. 06/2015
 p. 3/3

Materials

part	material	coating
shield	carbon steel	white zinc $\geq 5 \mu\text{m}$ ISO 4042
screw	steel, class 8.8	
eyebolt	steel, class 5.8	

Setting parameters

size		M6	M8	M10	M12
minimum thickness of base material	h_{\min} mm	100	120	120	160
critical spacing	s_{cr} mm	168	220	240	288
critical edge distance	c_{cr} mm	84	110	120	144

Strength data

Valid for a single anchor, isolated and far from the edges, on a thick concrete member of class C20/25

Characteristic resistance (kN)

size		M6	M8	M10	M12
tension	N_{Rk}	6	9	12	20
shear	V_{Rk}	8	10	20	26

1 kN \approx 100 kg

An appropriate safety factor, of at least 3, is recommended.

Characteristic resistances derive from tests conducted in G&B Fissaggi's laboratories according to international guidelines. For anchorages with reduced spacing or edge distance (lower than critical values above) resistance must be decreased.

Load values are valid only if installation is performed accurately. Designer is responsible for the choice of size and number of anchors.