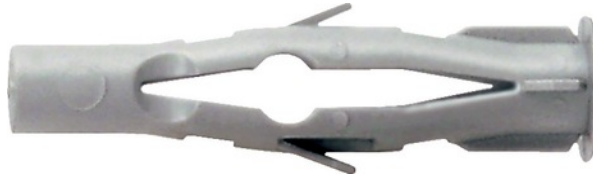


TECHNICAL DATASHEET

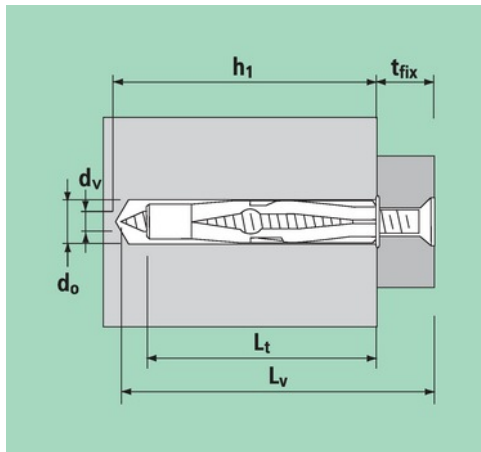
GBU NYLON multipurpose plug with toggle expansion

EN
rev. 12/2017
p. 1/2



Base material

specific use	suitable use
perforated masonry hollow masonry hollow blocks plasterboard	concrete natural stone solid masonry



- d_0 = plug diameter = hole diameter
- L_t = plug length
- t_{fix} = fixable thickness
- h_1 = minimum hole depth
- h_{nom} = nominal embedment depth
- h_{ef} = effective anchorage depth
- d_v = screw diameter
- L_v = screw length

$$h_{nom} = h_{ef} = L_t$$

$$L_v \geq L_t + t_{fix}$$

GBU Nylon

also available industrial packed in bags

art.		d	L _t	h ₁	d _v
boxes	bags	mm	mm	mm	mm
HGBU06	HGBU60	6	40	45	3 ÷ 3,5
HGBU08	HGBU80	8	50	55	4 ÷ 5
HGBU10	HGBU100	10	60	65	6



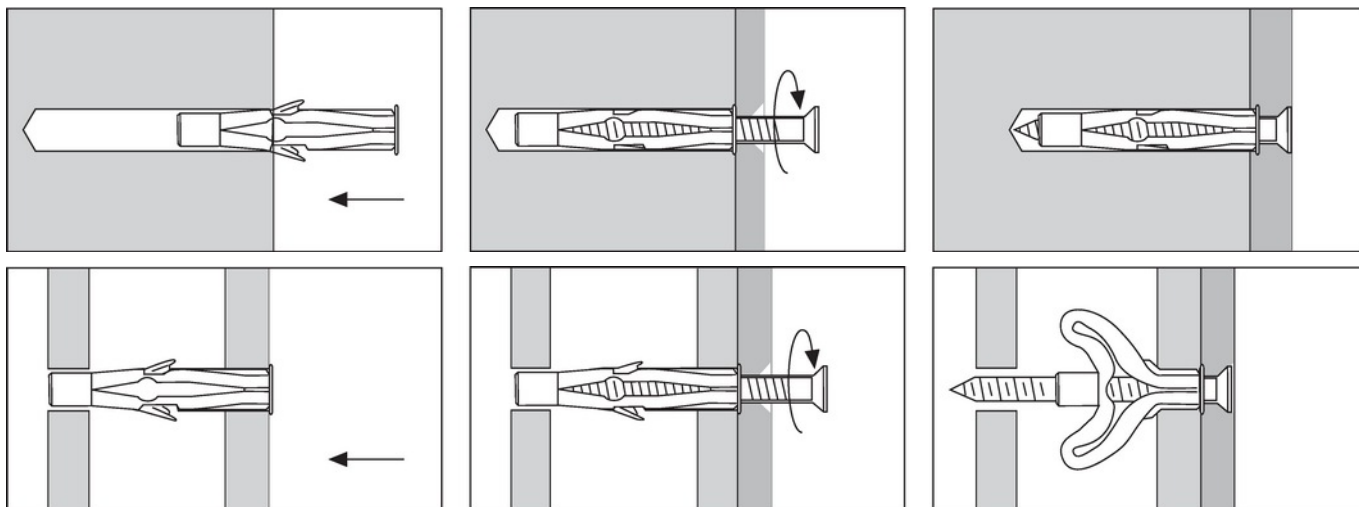
GBU Nylon with countersunk chipboard screw, cross head, white-zinc plated

art.			d	L _t	h ₁	d _v	L _v	t _{fix}
boxes	EASY PACK	BLISTER PACK	mm	mm	mm	mm	mm	mm
HGBUV06	17063	05026	6	40	45	3,5	50	10
HGBUV08	17064	05027	8	50	55	4,5	60	10
HGBUV10	17065	05028	10	60	65	6	80	10



TECHNICAL DATASHEET
GBU NYLON multipurpose plug with toggle expansion

 EN
 rev. 12/2017
 p. 2/2

Installation

Materials

part	material	surface
plug	polyamide (Nylon) grey RAL 7035	-
screw	steel	white zinc plating $\geq 5 \mu\text{m}$ ISO 4042

Strength data

 in daN (1 daN \approx 1 kg), valid for screws with maximum diameter for each size

Characteristic resistance

descr.	concrete C20/25	solid brick	hollow brick
GBU6	100	90	40
GBU8	180	140	60
GBU10	280	160	80

 Appropriate safety factor is recommended ($4 \div 5$).

Characteristic resistances derive from tests conducted in G&B Fissaggi's laboratories according to international guidelines. Load values are valid only if installation is performed accurately. Designer is responsible for the choice of size and number of anchors.

Recommended load

descr.	concrete C20/25	solid brick	hollow brick
GBU6	18	16	7
GBU8	32	25	11
GBU10	50	29	14

Recommended loads include the above mentioned partial safety factor 4 and the further safety factor 1.4.