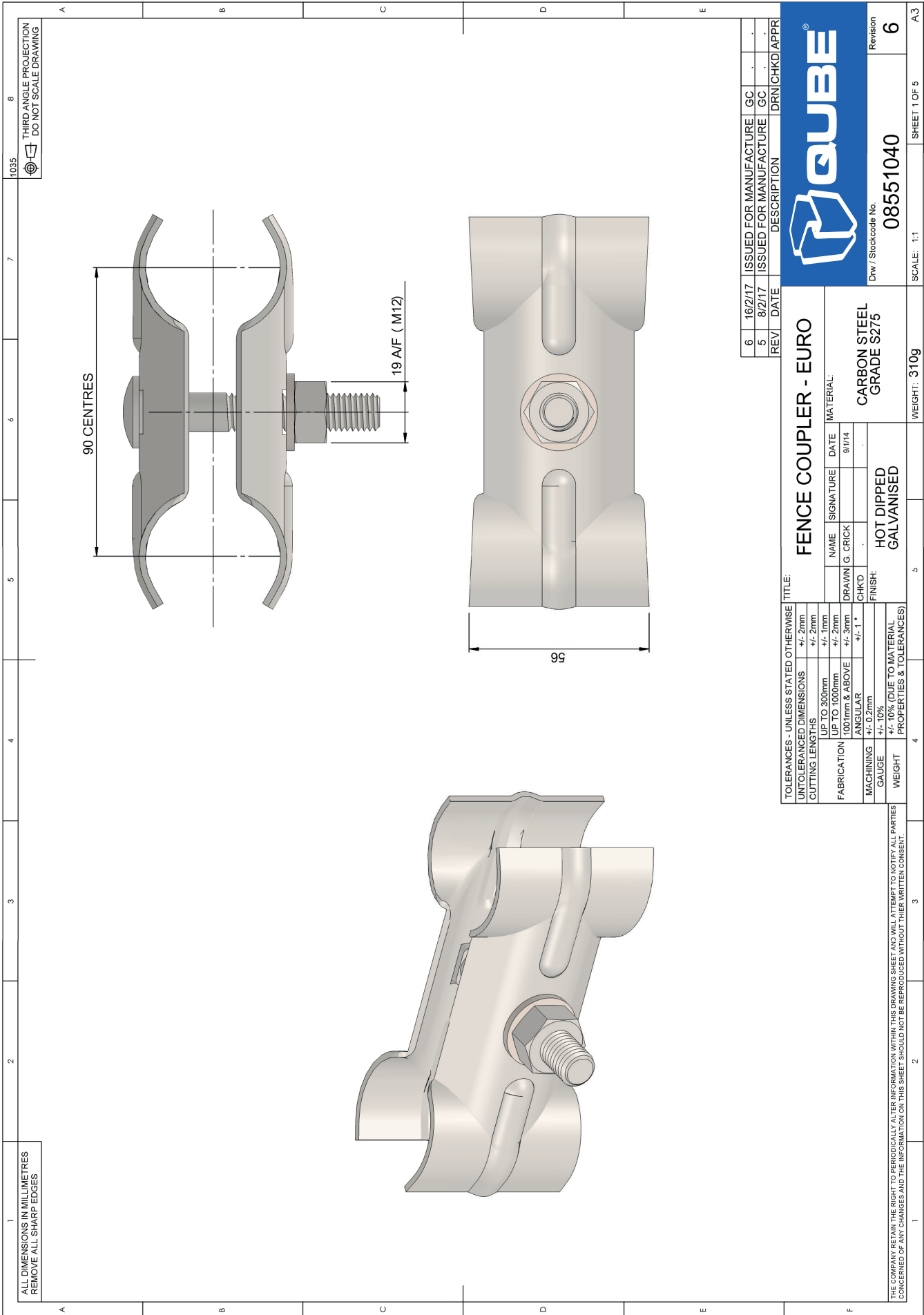


QUBECLOTURES

Type: Fence Coupler - Euro



1035
THIRD ANGLE PROJECTION
DO NOT SCALE DRAWING

1
ALL DIMENSIONS IN MILLIMETRES
REMOVE ALL SHARP EDGES

90 CENTRES

19 A/F (M12)

56

TOLERANCES - UNLESS STATED OTHERWISE

UNTOLERANCED DIMENSIONS	+/- 2mm
CUTTING LENGTHS	+/- 2mm
UP TO 300mm	+/- 1mm
UP TO 1000mm	+/- 2mm
FABRICATION 1001mm & ABOVE	+/- 3mm
MACHINING ANGULAR	+/- 1°
GAUGE	+/- 0.05mm
WEIGHT	+/- 10% (DUE TO MATERIAL PROPERTIES & TOLERANCES)

TITLE: FENCE COUPLER - EURO

MATERIAL: CARBON STEEL GRADE S275

DATE: 9/1/14

NAME: G. CRICK

SIGNATURE: [Signature]

FINISH: HOT DIPPED GALVANISED

REV	DATE	DESCRIPTION	DRN	CHKD	APPR
6	16/2/17	ISSUED FOR MANUFACTURE	GC		
5	8/2/17	ISSUED FOR MANUFACTURE	GC		



Revision
08551040
6

SCALE: 1:1
SHEET 1 OF 5
A3

THE COMPANY RETAINS THE RIGHT TO PERIODICALLY ALTER INFORMATION WITHIN THIS DRAWING SHEET AND WILL ATTEMPT TO NOTIFY ALL PARTIES CONCERNED OF ANY CHANGES AND THE INFORMATION ON THIS SHEET SHOULD NOT BE REPRODUCED WITHOUT THEIR WRITTEN CONSENT.

