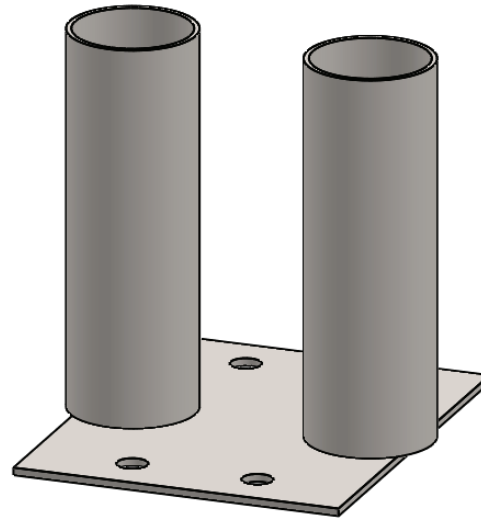


1 2 3 4 5 6

ALL DIMENSIONS IN MILLIMETRES
REMOVE ALL SHARP EDGES

A
B
C
D
E
F



WEIGHT NOTE:
WEIGHT BEFORE GALVANISING = 1.2 Kg
WEIGHT GALVANISED = 1.3 Kg (ASSUMING 6% ADDED)

WAS ZNDDE0160

TOLERANCES - UNLESS STATED OTHERWISE		TITLE: DOUBLE F	
UNTOLERANCED DIMENSIONS	+/- 2mm	SMALL	
CUTTING LENGTHS	+/- 2mm		
FABRICATION	UP TO 300mm	+/- 1mm	NAME
	UP TO 1000mm	+/- 2mm	SIGNATURE
	1001mm & ABOVE	+/- 3mm	DRAWN
	ANGULAR	+/- 1°	G. CRICK
MACHINING	+/- 0.2mm	CHKD	
GAUGE	+/- 10%	FINISH: HOT DIPPED GALVANISED	
WEIGHT	+/- 10% (DUE TO MATERIAL PROPERTIES & TOLERANCES)	CARBON STEEL	



Drw / Stockcode No.	Revision
13052540	2

THE COMPANY RETAIN THE RIGHT TO PERIODICALLY ALTER INFORMATION WITHIN THIS DRAWING SHEET AND WILL ATTEMPT TO NOTIFY ALL PARTIES CONCERNED OF ANY CHANGES AND THE INFORMATION ON THIS SHEET SHOULD NOT BE REPRODUCED WITHOUT THEIR WRITTEN CONSENT.