

**TECHNICAL DATASHEET**

**TURBO JET Nylon hammer-in plug**

EN  
rev 05/2018  
p. 1/4

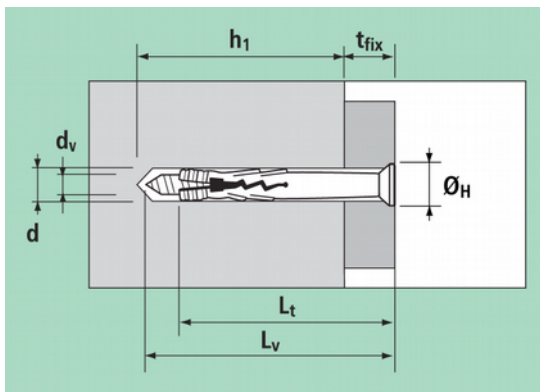
Hammer-in plug with pre-assembled countersunk flat-head screw, POZI drive.  
Available with countersunk, flat and rounded collar.



**Base material**

**specific use**

concrete  
stone  
solid brick



- $d_0$  = plug diameter = hole diameter
- $L_t$  = plug length
- $h_1$  = minimum hole depth
- $h_{nom}$  = overall embedment depth
- $h_{ef}$  = effective anchorage depth
- $t_{fix}$  = fixable thickness
- $d_v$  = screw diameter
- $L_v$  = screw length
- $\varnothing_H$  = head diameter

$h_{nom} = h_{ef}$

**TURBO JET Nylon grey**

with countersunk collar and countersunk nail-screw, white-zinc plated



art.	descr.	$d_0$ mm	$L_t$ mm	$h_1$ mm	$h_{nom}$ mm	$d_v$ mm	$L_v$ mm	screw POZI n.	$\varnothing_H$ mm	$t_{fix}$ mm
93025	TJ5-27SV	5	27	25	22	3,5	32	2	9,1	5
93026	TJ5-37SV		37							15
93027	TJ5-47SV		47							25
93028	TJ6-32SV	6	32	30	27	3,8	37	2	10,0	5
93029	TJ6-40SV		40							10
93030	TJ6-55SV		55							25
93031	TJ6-67SV		67							37
93032	TJ6-80SV		80							50
93033	TJ8-45SV	8	45	40	35	4,8	50	3	12,2	10
93034	TJ8-60SV		60							25
93035	TJ8-75SV		75							40
93036	TJ8-100SV		100							65
93037	TJ8-120SV		120							85
93038	TJ8-135SV		135							100

**TECHNICAL DATASHEET**
**TURBO JET Nylon hammer-in plug**

 EN  
 rev 05/2018  
 p. 2/4

**TURBO JET Nylon grey**  
 with flat collar and countersunk nail-screw, white-zinc plated



art.	descr.	d <sub>0</sub> mm	L <sub>t</sub> mm	h <sub>1</sub> mm	h <sub>nom</sub> mm	d <sub>v</sub> mm	L <sub>v</sub> mm	screw POZI n.	Ø <sub>H</sub> mm	t <sub>fix</sub> mm
93011	TJ5-27V	5	27	25	22	3,5	32	2	8,9	5
93012	TJ5-37V		37				42			15
93013	TJ5-47V		47				52			25
93014	TJ6-32V	6	32	30	27	3,8	37	2	10,8	5
93015	TJ6-40V		40				45			10
93016	TJ6-55V		55				60			25
93017	TJ6-67V		67				72			37
93018	TJ6-80V		80				85			50
93019	TJ8-45V	8	45	40	35	4,8	50	3	12,8	10
93020	TJ8-60V		60				65			25
93021	TJ8-75V		75				80			40
93022	TJ8-100V		100				105			65
93023	TJ8-120V		120				125			85
93024	TJ8-135V		135				140			100

**TURBO JET Nylon grey**  
 with rounded collar and countersunk nail-screw, white-zinc plated



art.	descr.	d <sub>0</sub> mm	L <sub>t</sub> mm	h <sub>1</sub> mm	h <sub>nom</sub> mm	d <sub>v</sub> mm	L <sub>v</sub> mm	screw POZI n.	Ø <sub>H</sub> mm	t <sub>fix</sub> mm
93001	TJ5-27B	5	27	25	22	3,5	32	2	10,9	5
93002	TJ5-37B		37				42			15
93003	TJ6-32B	6	32	30	27	3,8	37	2	13,9	5
93004	TJ6-40B		40				45			10
93005	TJ6-55B		55				60			25
93006	TJ8-45B	8	45	40	35	4,8	50	3	15,5	10
93007	TJ8-60B		60				60			25

**TURBO JET Nylon grey**  
 with countersunk collar and  
 countersunk nail-screw, AISI 304 (A2) stainless steel



art.	descr.	d <sub>0</sub> mm	L <sub>t</sub> mm	h <sub>1</sub> mm	h <sub>nom</sub> mm	d <sub>v</sub> mm	L <sub>v</sub> mm	screw POZI n.	Ø <sub>H</sub> mm	t <sub>fix</sub> mm
HTTSI21	TJ5-27SV	5	27	25	22	3,5	32	2	9,1	5
HTTSI22	TJ5-47SV		47				52			25
HTTSI23	TJ6-40SV	6	40	30	27	3,8	45	2	10,0	10
HTTSI230	TJ6-55SV		55				60			25
HTTSI24	TJ6-67SV		67				72			37
HTTSI30	TJ6-80SV		80				85			50
HTTSI25	TJ8-60SV	8	60	40	35	4,8	65	3	12,2	25
HTTSI26	TJ8-75SV		75				80			40
HTTSI27	TJ8-100SV		100				105			65
HTTSI28	TJ8-120SV		120				125			85

**TECHNICAL DATASHEET**
**TURBO JET Nylon hammer-in plug**

 EN  
 rev 05/2018  
 p. 3/4

**TURBO JET Nylon dark brown**  
 with rounded collar and countersunk nail-screw, black finish



art.	descr.	d <sub>0</sub> mm	L <sub>t</sub> mm	h <sub>1</sub> mm	h <sub>nom</sub> mm	d <sub>v</sub> mm	L <sub>v</sub> mm	screw POZI n.	Ø <sub>H</sub> mm	t <sub>fix</sub> mm
93008	TJ6-36BM	6	32	30	27	3,8	40	2	13,9	5
93009	TJ6-40BM		40				50			10
93010	TJ6-55BM		55				60			25

**TURBO JET Nylon dark brown**  
 with rounded collar and countersunk nail-screw, copper

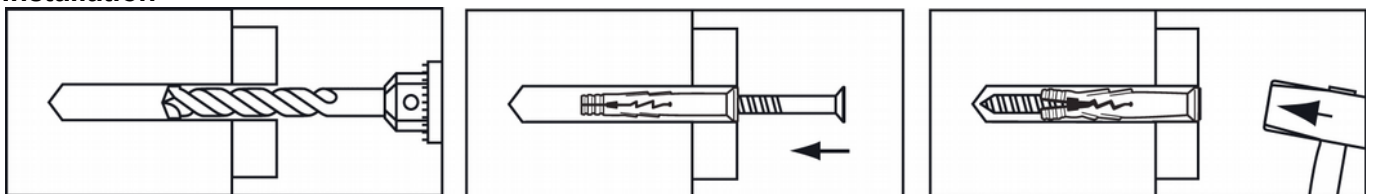


art.	descr.	d <sub>0</sub> mm	L <sub>t</sub> mm	h <sub>1</sub> mm	h <sub>nom</sub> mm	d <sub>v</sub> mm	L <sub>v</sub> mm	screw POZI n.	Ø <sub>H</sub> mm	t <sub>fix</sub> mm
93039	TJ6-32BR	6	32	30	27	3,8	40	2	13,9	5
93040	TJ6-40BR		40				50			10
93041	TJ6-55BR		55				60			25

**TURBO JET Nylon grey**  
 with rounded collar and nail-screw with M6 thread



art.	descr.	d <sub>0</sub> mm	L <sub>t</sub> mm	h <sub>1</sub> mm	h <sub>nom</sub> mm	d <sub>v</sub> mm	L <sub>v</sub> mm	screw M6 mm	Ø <sub>H</sub> mm	t <sub>fix</sub> mm
93092	TJ6-40VF	6	40	30	27	4	45	4	13,9	5

**Installation**

**Materials**

part	material	coating
plug	polyamide (Nylon) grey RAL 7035 or dark brown RAL 8017	-
nail-screw	steel	zincatura ≥ 5 µm ISO 4042

**Strength data**

on concrete class C20/25, expressed in daN (1 daN ≈ 1 kg)

**Characteristic resistance**

size	N <sub>Rk</sub>	Turbo Ø 5 mm	Turbo Ø 6 mm	Turbo Ø 8 mm
		tension	90	150

Appropriate safety factor is recommended (4 ÷ 5).



G&B Fissaggi S.r.l. Italia

C.so Savona 22,1029 Villastellone (TO), Italia  
tel. +39 011 9619433 - fax +39 011 9619382  
www.gebfissaggi.com - info@gebfissaggi.com

G&B Fissaggi UK  
G&B Fissaggi Vertretung Deutschland  
G&B Fissaggi Ibérica  
G&B Fissaggi Benelux  
G&B Fissaggi France

**TECHNICAL DATASHEET**

**TURBO JET Nylon hammer-in plug**

EN  
rev 05/2018  
p. 4/4

Characteristic resistances derive from tests conducted in G&B Fissaggi's laboratories according to international guidelines. Load values are valid only if installation is performed accurately. Designer is responsible for the choice of size and number of anchors.

**Recommended load**

size		Turbo Ø 5 mm	Turbo Ø 6 mm	Turbo Ø 8 mm
tension	$N_{Rk}$	16	27	38

Recommended loads include the above mentioned partial safety factor of 4 and the further safety factor 1.4.