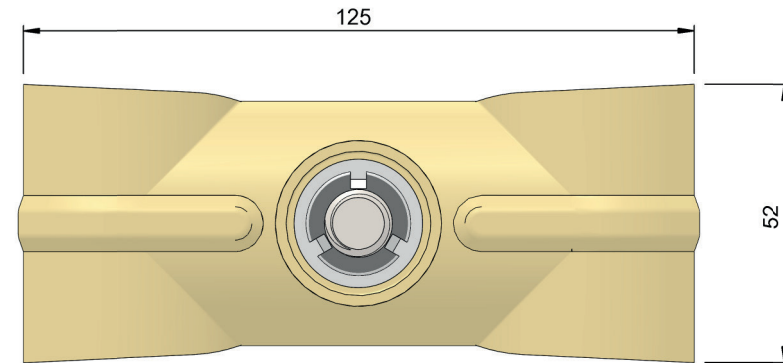
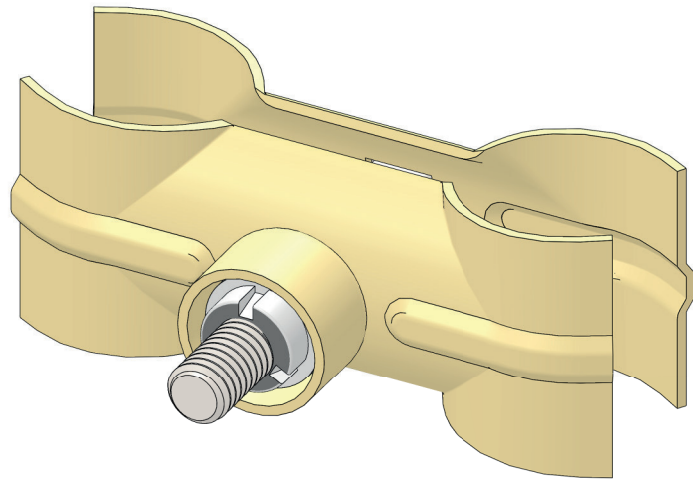
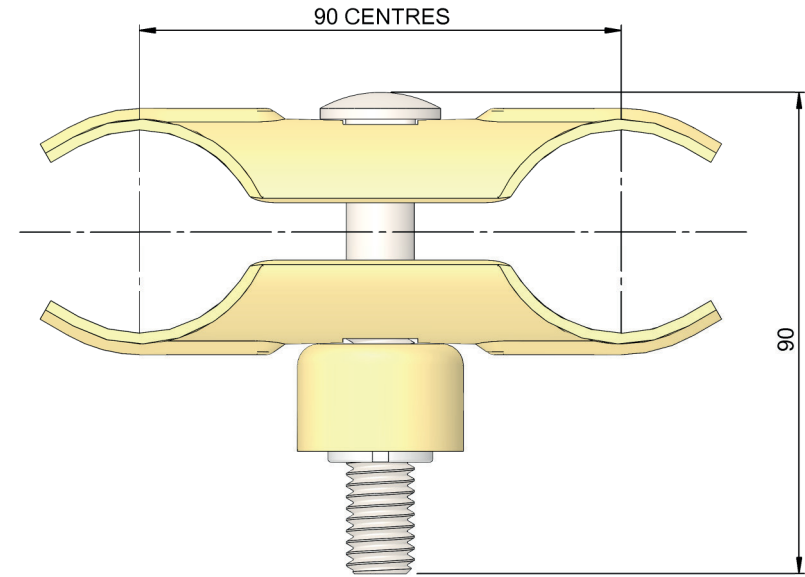


ALL DIMENSIONS IN MILLIMETRES
REMOVE ALL SHARP EDGES

1036 8
THIRD ANGLE PROJECTION
DO NOT SCALE DRAWING



5	19/12/18	ISSUED FOR MANUFACTURE	GC	.	.
4	16/2/17	ISSUED FOR MANUFACTURE	GC	.	.
REV	DATE	DESCRIPTION	DRN	CHKD	APPR

TOLERANCES - UNLESS STATED OTHERWISE		TITLE:
UNTOLERANCED DIMENSIONS	+/- 2mm	LOCKABLE COUPLER - EURO
CUTTING LENGTHS	+/- 2mm	
FABRICATION	UP TO 300mm	+/- 1mm
	UP TO 1000mm	+/- 2mm
	1001mm & ABOVE	+/- 3mm
	ANGULAR	+/- 1°
MACHINING	+/- 0.2mm	DRAWN G. CRICK 9/1/14
GAUGE	+/- 10%	
WEIGHT	+/- 10% (DUE TO MATERIAL PROPERTIES & TOLERANCES)	CHK'D

FINISH:		MATERIAL:
ELECTRO GALVANISE COLOUR: GOLD		CARBON STEEL GRADE S275

QUBE®

Drw / Stockcode No.	Revision
08551435	5

WAS ZNDDE0110

THE COMPANY RETAIN THE RIGHT TO PERIODICALLY ALTER INFORMATION WITHIN THIS DRAWING SHEET AND WILL ATTEMPT TO NOTIFY ALL PARTIES CONCERNED OF ANY CHANGES AND THE INFORMATION ON THIS SHEET SHOULD NOT BE REPRODUCED WITHOUT THEIR WRITTEN CONSENT.

WEIGHT: 0.3 Kg

SCALE: 1:1

SHEET 1 OF 7

A3