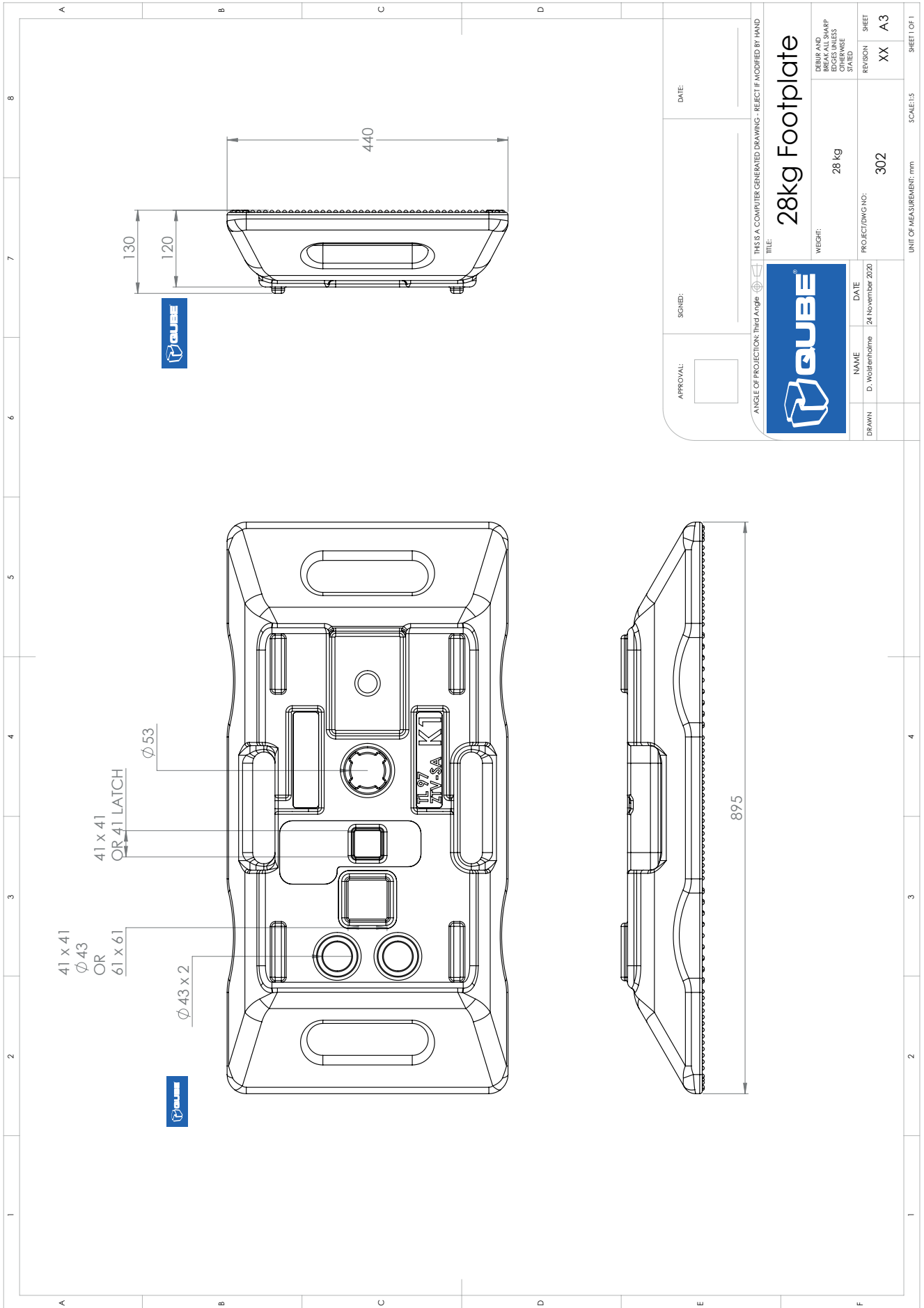


QUBE FOOTPLATE

Type: 28kg



APPROVAL:	SIGNED:	DATE:
<input type="checkbox"/>	<input type="checkbox"/>	<input type="checkbox"/>
ANGLE OF PROJECTION: Third Angle THIS IS A COMPUTER GENERATED DRAWING - REJECT IF MODIFIED BY HAND TITLE: 28kg Footplate		
DRAWN: D. Wolfenthome NAME: D. Wolfenthome DATE: 24 November 2020		WEIGHT: 28 kg DEBUR AND CHAMFER EDGES UNLESS OTHERWISE STATED REVISION: XX SHEET: A3
PROJECT/DWG NO: 302		SCALE: 1:5
UNIT OF MEASUREMENT: mm		
SHEET 1 OF 1		